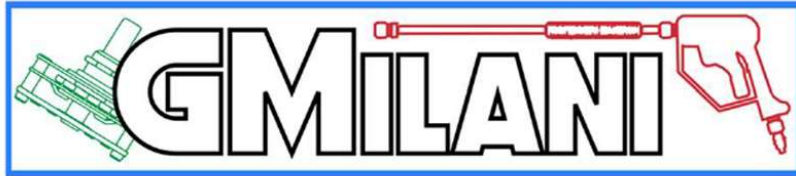


G.MILANI S.A.S.
DI TETTONI FABRIZIO & C.
VIA CAVAGLIETTO, 25
28010 - CAVAGLIO D'AGOGNA NO (ITALIA)

P.IVA: 02626650036
SDI: W7YVJK9
MAIL: INFO@GMILANI.IT
PEC: G.MILANISAS@PEC.IT
TEL: +39.0322.80.68.20



EQUIPMENT FOR HOT WATER PRESSURE CLEANERS TLR 4 FC



Characteristics:

- Power supply 230Vac / 400Vac 50/60Hz
- For three-phase motors up to 4Kw – 5Hp
- For single-phase motors up to 3Kw – 4Hp
- EV diesel control clean NO contacts
- General low voltage On-Off
- Low voltage pressure switches
- Connections via 6.3mm faston
- Overall dimensions: (L x W x H) 85 × 68 × 47mm
- Weight: 450g
- CE regulations

The product was specifically designed for the management and control of high-pressure washers equipped with a boiler for heating hot water.

The main function, called TOTALSTOP, manages the switching off and on of the pump motor, interrupting all phases with a standard timing set at 13 seconds.

The equipment is internally equipped with a relay with clean NO contacts, generally used for the 3-second delayed ignition of the diesel solenoid valve.

Furthermore, it is possible to connect a low voltage switch to completely turn off the board.

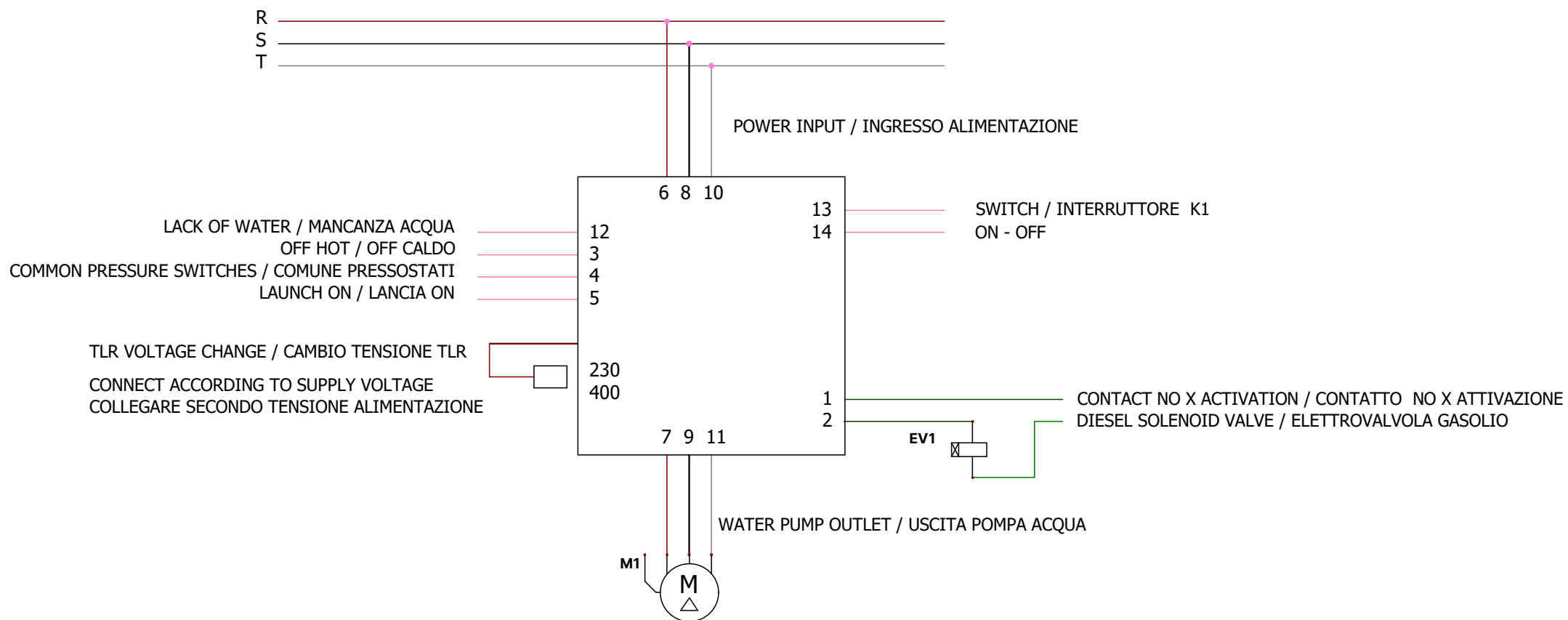
The TLR4FC is equipped with 4 pressure switch inputs which also add the standard safety function on lack of water, if it fails it immediately switches off the diesel solenoid valve.

Work characteristics:

Pump motor output internally controlled by 3 relays.

The electronic board is drowned in epoxy resin to eliminate the problem of dust and humidity.

MADE IN ITALY



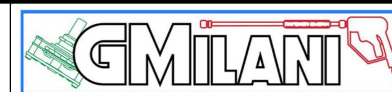
M1 - Water pump outlet / Uscita pompa acqua
 EV1 - Diesel solenoid valve / Elettrovalvola Gasolio
 K1 - Low Voltage Switch / Interruttore Bassa Tensione
 In single phase do not use 10-11 / In monofase non usare 10-11

TLR4FC

REV. DATE

DESIGNED
G.Milani

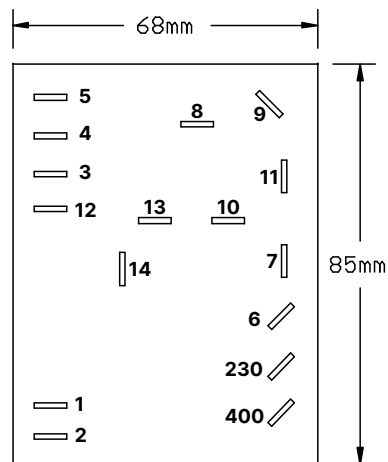
G.MILANI S.a.s
DI TETTONI FABRIZIO & C.
 VIA CAVAGLIETTO, 25
 28010 - CAVAGLIO d'AGOGNA NO (ITALIA)
 mail: INFO@GMILANI.IT
 tel: +39.0322.80.68.20



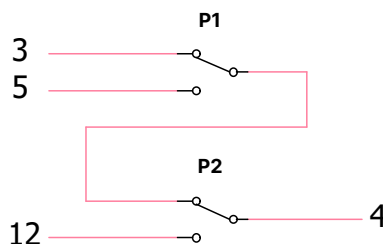
SCHEME

CONTRACT:

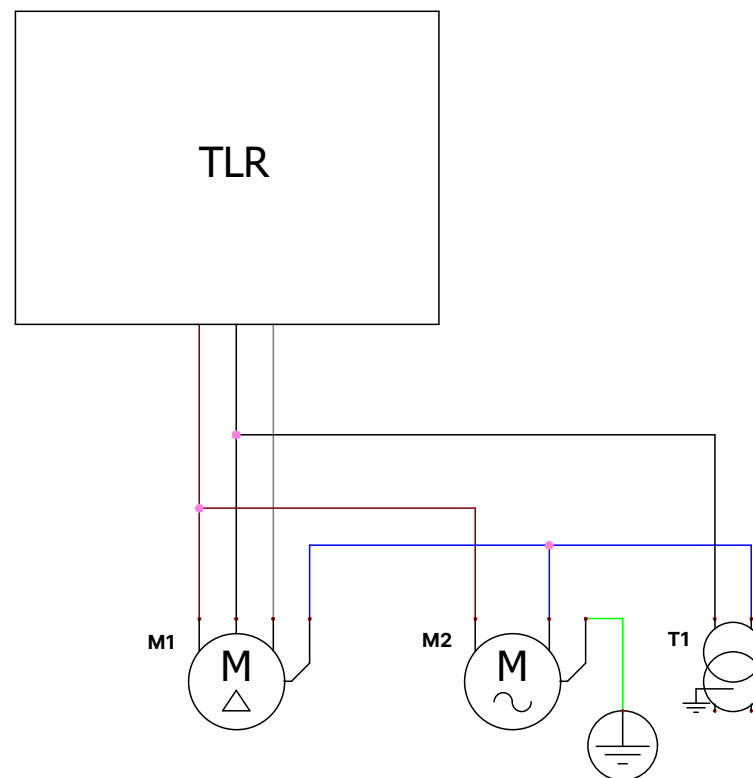
- T1 - Spark high voltage transformer / Trasformatore alta tensione scintilla
- M1 - Motor Pump / Motore Pompa
- M2 - Smoke fan motor / Motore ventola fumi
- P1 - Pressure switch generally mounted on the pump / Pressostato generalmente montato su Pompa
- P2 - Pressure switch generally mounted on Bypass Valve / Pressostato generalmente montato su Valvola Bypass



Example of pressure switch connection
Esempio collegamento pressostati



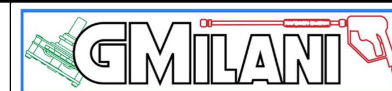
Example of Fan Motor and Spark Transformer connection
Esempio collegamento Motore Ventola e Trasformatore Scintilla



TLR4FC

REV. DATE
DESIGNED
G.Milani

G.MILANI S.a.s
DI TETTONI FABRIZIO & C.
VIA CAVAGLIETTO, 25
28010 - CAVAGLIO d'AGOGNA NO (ITALIA)
mail: INFO@GMILANI.IT
tel: +39.0322.80.68.20



SCHEME

CONTRACT: