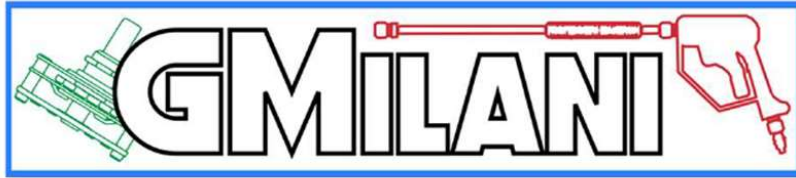


**G.MILANI S.A.S.**  
**DI TETTONI FABRIZIO & C.**  
VIA CAVAGLIETTO, 25  
28010 - CAVAGLIO D'AGOGNA NO (ITALIA)

P.IVA: 02626650036  
SDI: W7YVJK9  
MAIL: INFO@GMILANI.IT  
PEC: G.MILANISAS@PEC.IT  
TEL: +39.0322.80.68.20



## EQUIPMENT FOR COLD WATER PRESSURE WASHERS TLR 11 FLW



### Characteristics:

- Power supply 230Vac / 400Vac 50/60Hz
- For three-phase motors up to 7.5Kw – 10Hp
- For single-phase motors up to 5.5Kw – 7.5Hp
- Low voltage pressure switches
- Connections via 6.3mm faston
- Overall dimensions: (L x W x H) 125 x 68 x 45mm
- Weight: 600g
- CE regulations

The product was specifically designed for the management and control of cold water high-pressure washers.

It has the function of a simple timer for managing the pump motor, with a standard timing set at 7 seconds.

Unlike all other TLR models, the FLW versions do not have the initial TOTALSTOP to bring the system under pressure when the board is powered. The pump will be activated only when the pressure switch inputs are closed.

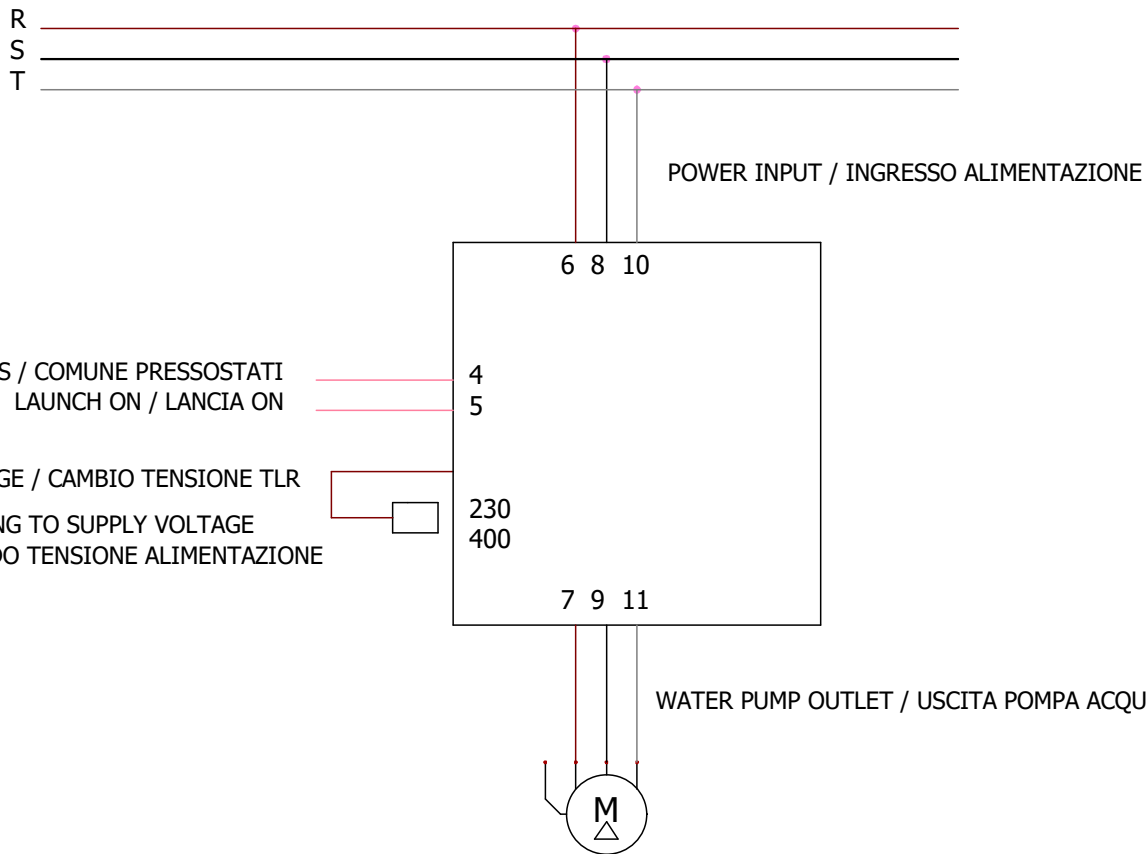
Since October 2023, the TLR AF model has been included in the catalogue, which will replace and unify the FLW models, improving their characteristics, with the great revolution of eliminating the voltage change.

### Work characteristics:

Pump motor output internally controlled by 3 relays.

The electronic board is drowned in epoxy resin to eliminate the problem of dust and humidity.

MADE IN ITALY



M1 -Water pump outlet / Uscita pompa acqua

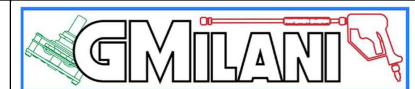
In single phase do not use 10-11 / In monofase non usare 10-11

TLR11FLW

REV. DATE

DESIGNED  
G.Milani

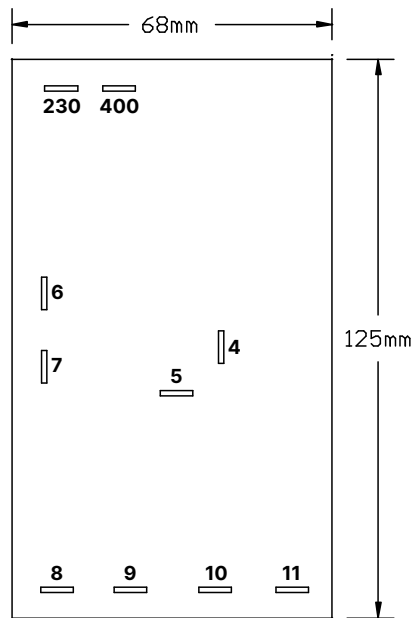
**G.MILANI S.a.s**  
**DI TETTONI FABRIZIO & C.**  
VIA CAVAGLIETTO, 25  
28010 - CAVAGLIO d'AGOGNA NO (ITALIA)  
mail: [INFO@GMILANI.IT](mailto:INFO@GMILANI.IT)  
tel: +39.0322.80.68.20



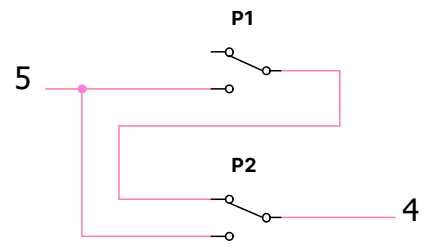
SCHEME

CONTRACT:

P1 - Pressure switch generally mounted on the pump / Pressostato generalmente montato su Pompa  
 P2 - Pressure switch generally mounted on Bypass Valve / Pressostato generalmente montato su Valvola Bypass



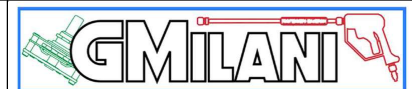
Example of pressure switch connection  
 Esempio collegamento pressostati



TLR11FLW

REV.	DATE
DESIGNED	
G.Milani	

**G.MILANI S.a.s**  
**DI TETTONI FABRIZIO & C.**  
 VIA CAVAGLIETTO, 25  
 28010 - CAVAGLIO d'AGOGNA NO (ITALIA)  
 mail: [INFO@GMILANI.IT](mailto:INFO@GMILANI.IT)  
 tel: +39.0322.80.68.20



SCHEME

CONTRACT: