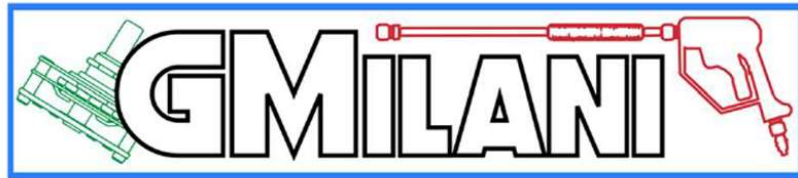
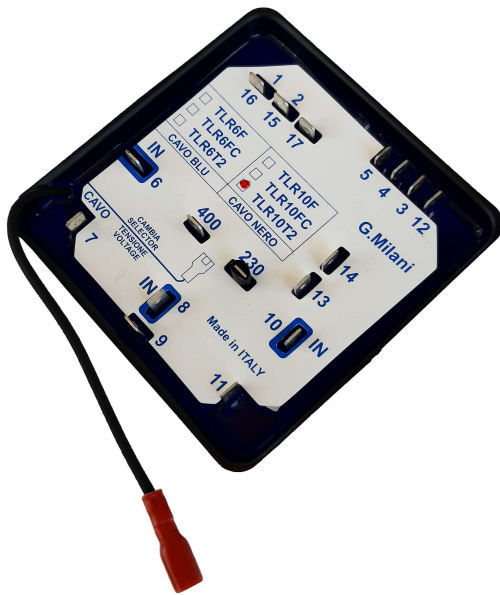


G.MILANI S.A.S.
DI TETTONI FABRIZIO & C.
VIA CAVAGLIETTO, 25
28010 - CAVAGLIO D'AGOGNA NO (ITALIA)

P.IVA: 02626650036
SDI: W7YVJK9
MAIL: INFO@GMILANI.IT
PEC: G.MILANISAS@PEC.IT
TEL: +39.0322.80.68.20



EQUIPMENT FOR HOT WATER PRESSURE CLEANERS TLR 10 T2



Characteristics:

- Power supply 230Vac / 400Vac 50/60Hz
- For three-phase motors up to 7.5Kw – 10Hp
- For single-phase motors up to 5Kw – 6.5Hp
- 24Vac diesel EV control output
- 24Vac auxiliary output
- General low voltage On-Off
- Low voltage pressure switches
- Connections via 6.3mm faston
- Overall dimensions: (L x W x H) 99 x 99 x 48mm
- Weight: 750g
- CE regulations

Available for purchase only for spare parts, for new equipment it has been replaced by the model: TLR11 which improves all its characteristics.

The product was specifically designed for the management and control of high-pressure washers equipped with a boiler for heating hot water.

The main function, called TOTALSTOP, manages the switching off of the pump motor, with a standard timing set at 12 seconds.

The equipment is equipped with a 24Vac output, delayed by 3 seconds to control the diesel solenoid valve and a 24Vac auxiliary output for a warning light with max absorption of 300mA.

Furthermore, it is possible to connect a low voltage switch to completely turn off the board, leaving the auxiliary output (24Vac) active.

The TLR10T2 is equipped with 4 pressure switch inputs which also add the standard safety function on lack of water, if it fails it immediately switches off the diesel solenoid valve.

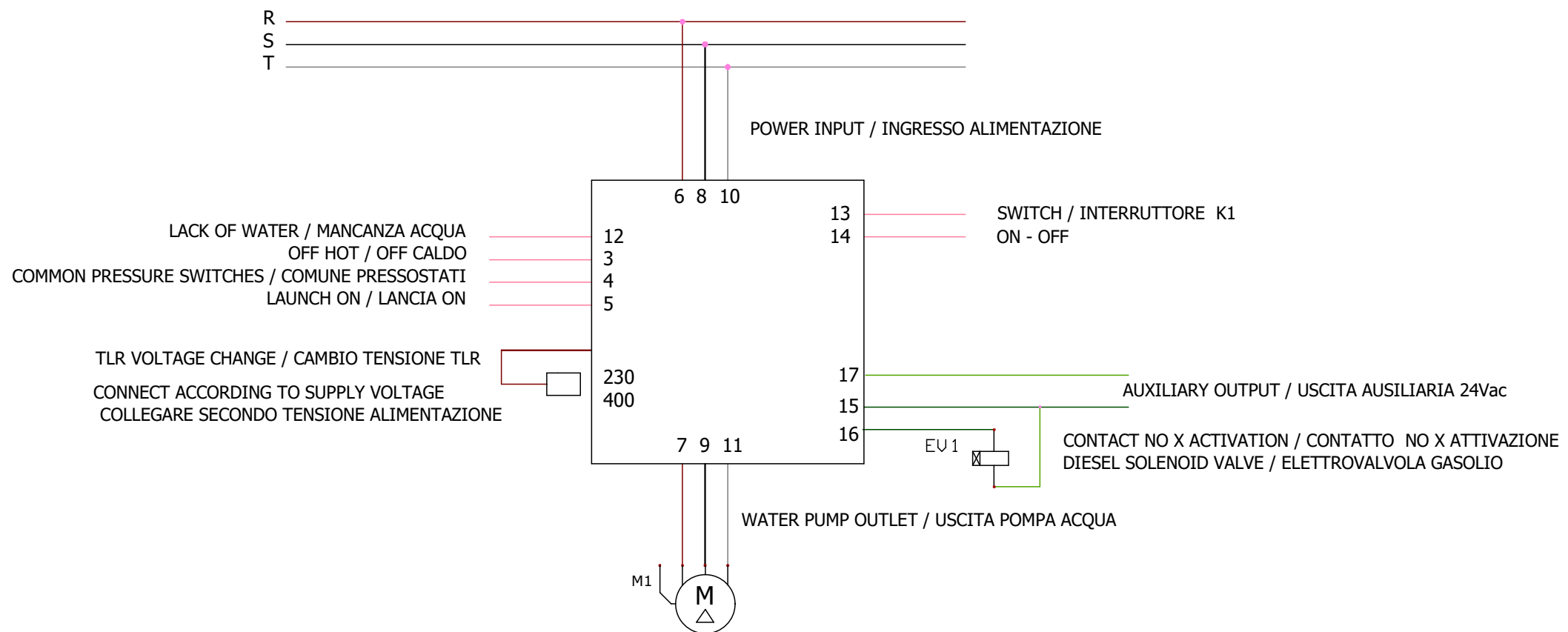
Work characteristics:

Pump motor output internally controlled by 3 relays.

The electronic board is drowned in epoxy resin to eliminate the problem of dust and humidity.



MADE IN ITALY



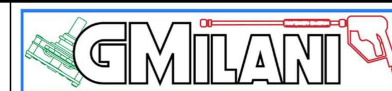
M1 - Water pump outlet / Uscita pompa acqua
 EV1 - Diesel solenoid valve 24Vac / Elettrovalvola Gasolio 24 Vac
 K1 - Low Voltage Switch / Interruttore Bassa Tensione
 In single phase do not use 10-11 / In monofase non usare 10-11

TLR10T2

REV. DATE

DESIGNED
G.Milani

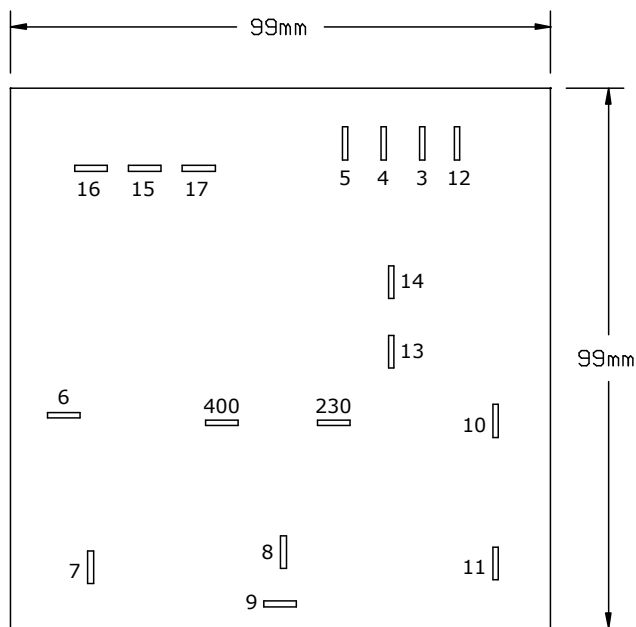
G.MILANI S.a.s
DI TETTONI FABRIZIO & C.
 VIA CAVAGLIETTO, 25
 28010 - CAVAGLIO d'AGOGNA NO (ITALIA)
 mail: INFO@GMILANI.IT
 tel: +39.0322.80.68.20



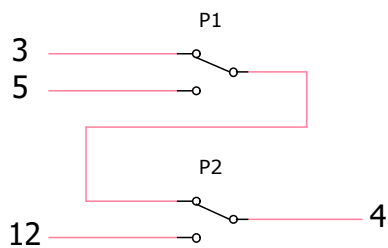
SCHEME

CONTRACT:

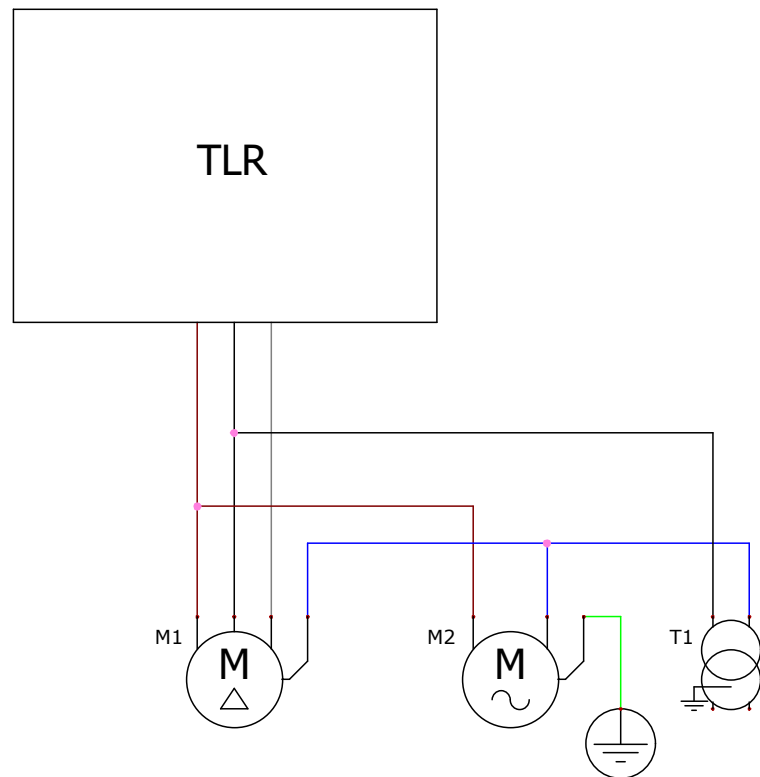
- T1 - Spark high voltage transformer / Trasformatore alta tensione scintilla
- M1 - Motor Pump / Motore Pompa
- M2 - Smoke fan motor / Motore ventola fumi
- P1 - Pressure switch generally mounted on the pump / Pressostato generalmente montato su Pompa
- P2 - Pressure switch generally mounted on Bypass Valve / Pressostato generalmente montato su Valvola Bypass



Example of pressure switch connection
Esempio collegamento pressostati



Example of Fan Motor and Spark Transformer connection
Esempio collegamento Motore Ventola e Trasformatore Scintilla

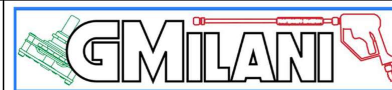


TLR10T2

REV. DATE

DESIGNED
G.Milani

G.MILANI S.a.s
DI TETTONI FABRIZIO & C.
VIA CAVAGLIETTO, 25
28010 - CAVAGLIO d'AGOGNA NO (ITALIA)
mail: INFO@GMILANI.IT
tel: +39.0322.80.68.20



SCHEME

CONTRACT: