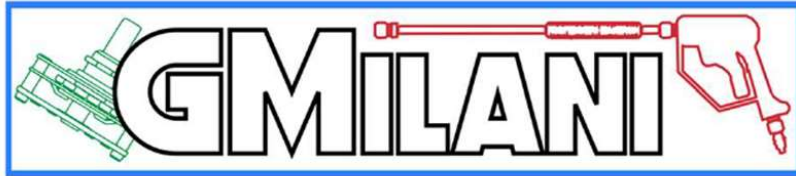


G.MILANI S.A.S.
DI TETTONI FABRIZIO & C.
VIA CAVAGLIETTO, 25
28010 - CAVAGLIO D'AGOGNA NO (ITALIA)

P.IVA: 02626650036
SDI: W7YVJK9
MAIL: INFO@GMILANI.IT
PEC: G.MILANISAS@PEC.IT
TEL: +39.0322.80.68.20



EQUIPMENT FOR HOT WATER PRESSURE CLEANERS TLR 1



Characteristics:

- Single-phase power supply 230Vac 50/60Hz
- Suitable for engines up to 3Kw – 4Hp
- Low voltage pressure switches
- Connections via 6.3mm faston
- Overall dimensions: (L x W x H) 85 x 68 x 47mm
- Weight: 440g
- CE regulations

The product was specifically designed for the management and control of high-pressure washers with single-phase 230Vac 50/60Hz power supply, equipped with a boiler for heating hot water.

The main function, called TOTALSTOP, manages the switching off and on of the pump motor by interrupting a phase with a standard timing set at 8 seconds.

The equipment is internally equipped with a relay with clean NO contacts, generally used for the 3-second delayed ignition of the diesel solenoid valve.

The TLR is equipped with a direct input to be used (optional) to turn off the equipment, connecting in series for example: a main switch, emergency button, motor thermal probe etc...

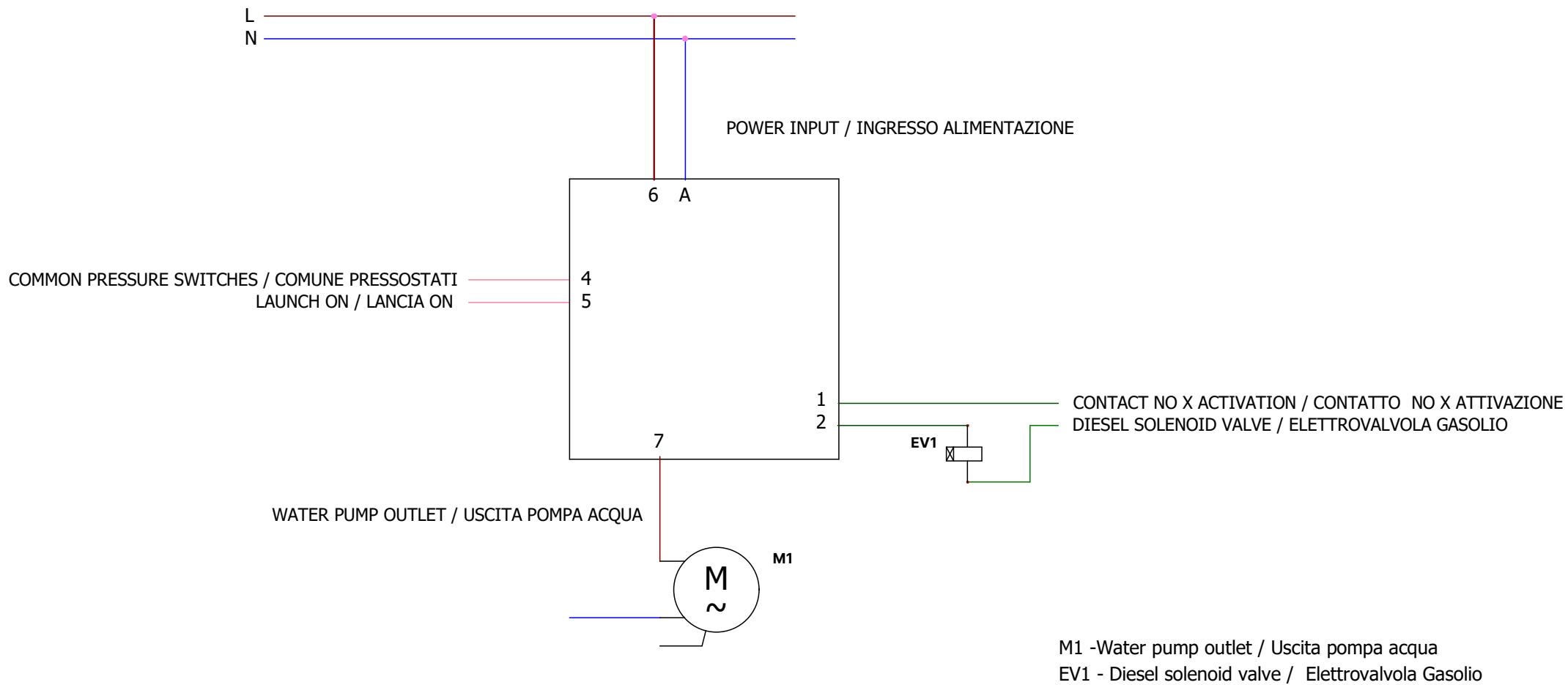
Work characteristics:

Pump motor output internally controlled by 1 relay.

Separate power input for turning off the equipment.

The electronic board is drowned in epoxy resin to eliminate the problem of dust and humidity.

MADE IN ITALY

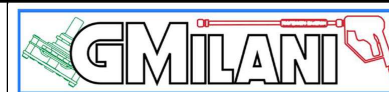


TLR1

REV. DATE

DESIGNED
G.Milani

G.MILANI S.a.s
DI TETTONI FABRIZIO & C.
VIA CAVAGLIETTO, 25
28010 - CAVAGLIO d'AGOGNA NO (ITALIA)
mail: INFO@GMILANI.IT
tel: +39.0322.80.68.20

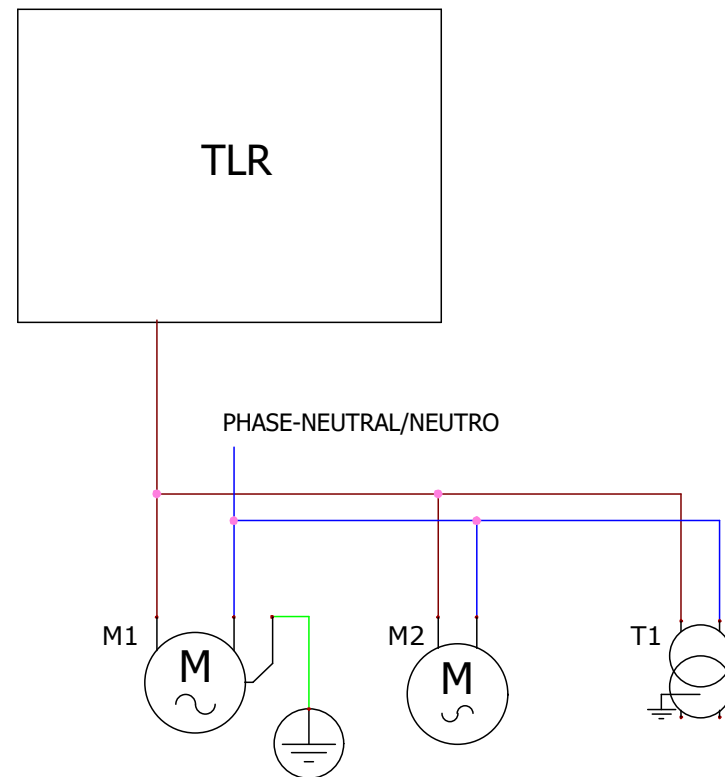


SCHEME

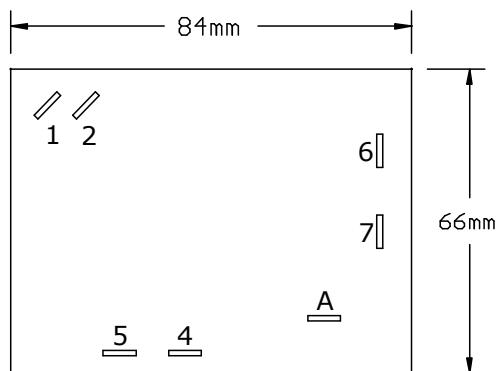
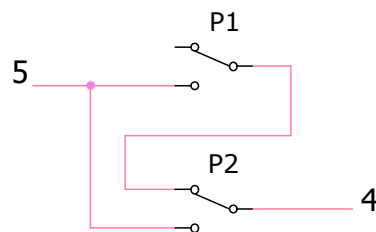
CONTRACT:

- T1 - Spark high voltage transformer / Trasformatore alta tensione scintilla
- M1 - Motor Pump / Motore Pompa
- M2 - Smoke fan motor / Motore ventola fumi
- P1 - Pressure switch generally mounted on the pump / Pressostato generalmente montato su Pompa
- P2 - Pressure switch generally mounted on Bypass Valve / Pressostato generalmente montato su Valvola Bypass

Example of Fan Motor and Spark Transformer connection
 Esempio collegamento Motore Ventola e Trasformatore Scintilla



Example of pressure switch connection
 Esempio collegamento pressostati

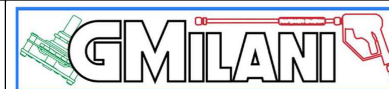


TLR1

REV. DATE

DESIGNED
G.Milani

G.MILANI S.a.s
DI TETTONI FABRIZIO & C.
 VIA CAVAGLIETTO, 25
 28010 - CAVAGLIO d'AGOGNA NO (ITALIA)
 mail: INFO@GMILANI.IT
 tel: +39.0322.80.68.20



SCHEME

CONTRACT: